

Accessories

Pressure Plates	2
Conduit Plates	3
Parts Containers	4
Parts Container Hanger	4
Tool Hanger	5

Tooling

Drill Jigs	6
Hex Wrenches	7
Cheater Pipe	7

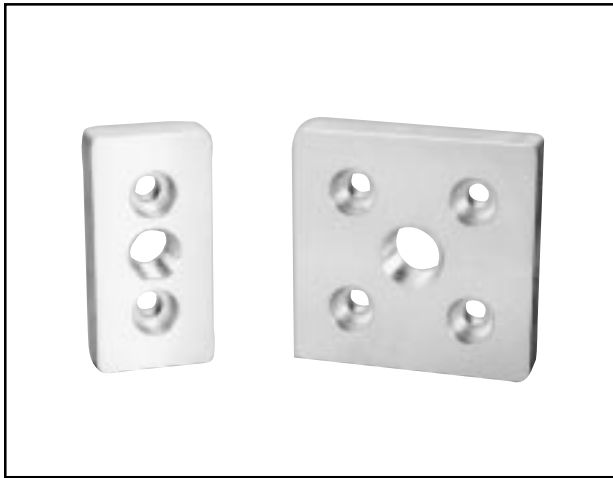
F Accessories

Pressure plates are used to encapsulate the chamber within a 40 x 80 or 80 x 80 profile. The plates can be attached to the end or the side of a profile. Each plate is shipped with a nitrile gasket for sealing. To apply pressure to an ESL4040 or ESH4040 profile, an 1/8" NPT port may be tapped at the end of the profile. Specify ESE0044 and refer to page G3 for details.

Material: 6061-T6 Aluminum Alloy, Clear Anodized

Maximum Pressure: 150 psi air.

Machining: Attachment of Pressure plate to a profile end requires profile end tapping service. Refer to page G3 for details. A cross communication drilling is required for mounting to the side of a profile (customer supplied).



Part No.	"A"	Holes	Weight	
			kg	lb
EST4000	Blank	2	0.12	0.26
EST4002	1/4" NPT	2	0.11	0.25
EST4004	3/8" NPT	2	0.11	0.25
EST4006	1/4" BSPP	2	0.12	0.26
EST4008	1/2" NPT	2	0.11	0.25
EST8000	Blank	4	0.25	0.54
EST8002	1/2" NPT	4	0.23	0.51
EST8006	1/2" BSPP	4	0.23	0.51

GASKETS

Part No.	Profile
EST4000-2	40 x 80
EST8000-2	80 x 80



RECOMMENDED FASTENERS

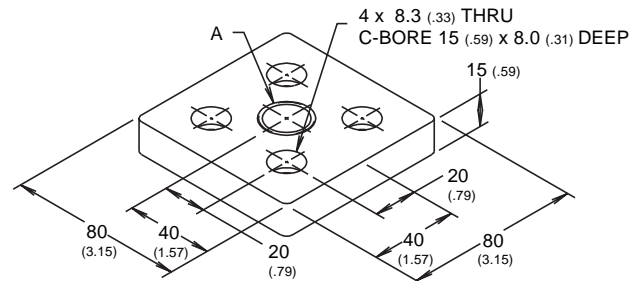
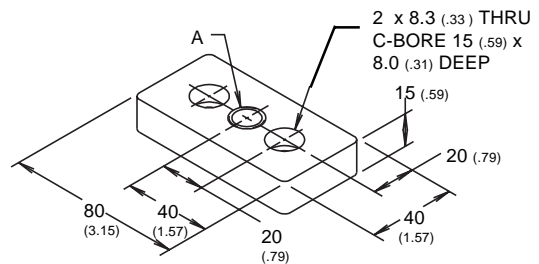
(Quantities as required by number of holes.)

For attachment to profile end:

Metric
ESF4008-25 BHSCS
ESF1108 Lock Washer

For attachment to profile T-slots:

Metric
ESF4008-18 BHSCS
ESF3008 Standard T-Nut
or
ESF3208 Drop-in T-Nut



Profile	Internal Volume	
	cm ³ /cm of length	in ³ /inch of length
ESL4080	6.44	1.00
ESH4080	5.28	0.82
ESH8080	24.92	3.86

Note: All dimensions in mm (in)

Conduit Plates provide a method of attaching 1/2" or 3/4" conduit to the end of the 80 x 80 profile.

Material: 6061-T6 Aluminum Alloy, Clear Anodized

Weight: .05 kg (.10 lb)

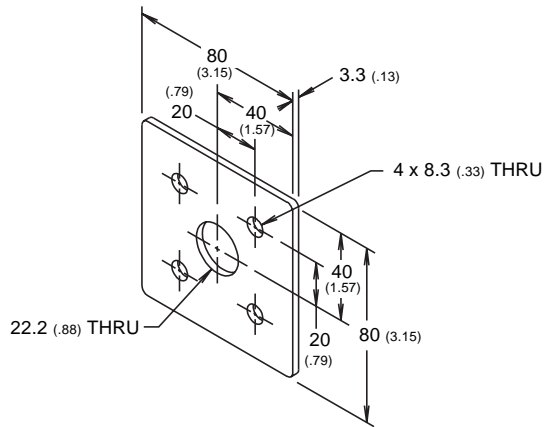
Machining Required: Attachment of the Conduit Plate to an 80 x 80 profile end requires profile end tapping service no. ESE0040 or ESE1040. See page G3 for details.



Part No.	Conduit Size
ESA8020	12.7 mm (.50 in)
ESA8022	19.1 mm (.75 in)

RECOMMENDED FASTENERS:

Metric
(4) ESF4008-16 BHSCS
(4) ESF1108 Lock Washer



Note: All dimensions in mm (in)

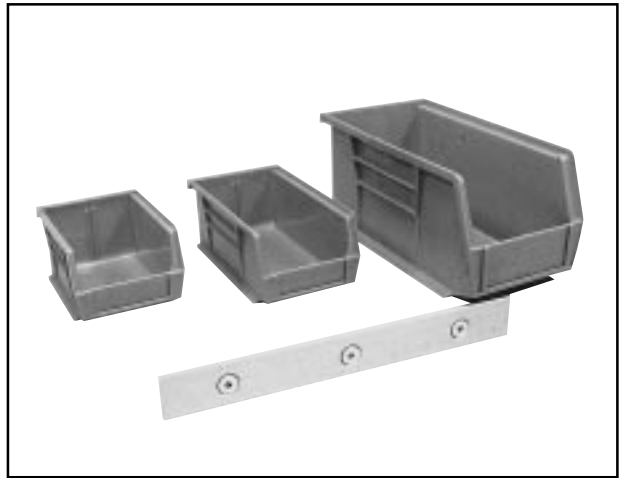
Parts Containers

Plastic part containers are available in three sizes. Attachment to the profile T-slot is accomplished with a parts container hanger (see below).

Material: Polypropylene

Color: Blue

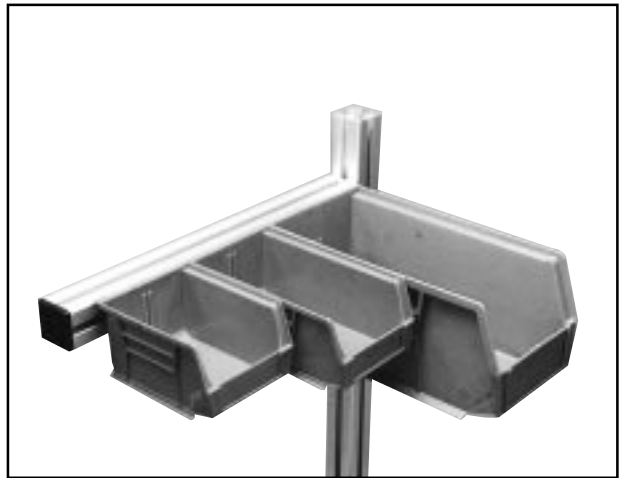
Part No.	Length		Width		Depth		Weight		Capacity	
	cm	in	cm	in	cm	in	kg	lb	kg	lb
ESA0116	13.6	5.38	10.4	4.12	7.6	3.00	0.07	0.16	4.5	10
ESA0118	18.7	7.38	10.4	4.12	7.6	3.00	0.11	0.25	4.5	10
ESA0120	27.6	10.88	13.9	5.50	12.7	5.00	0.29	0.63	13.6	30



Parts Container Hanger

Aluminum parts container hanger attaches to 40 and 80 mm profiles only. Part is 12" long. Fasteners included.

Part No.: ESA0124



Tool Hanger

The Tool Hanger slides into the profile T-Slot and can be used to suspend hand tools, cables, etc.

Part No.: ESA0126

Material: Black Nylatron

Weight: .02 kg (.05 lb)

Note: Will not fit in 28 mm profile.



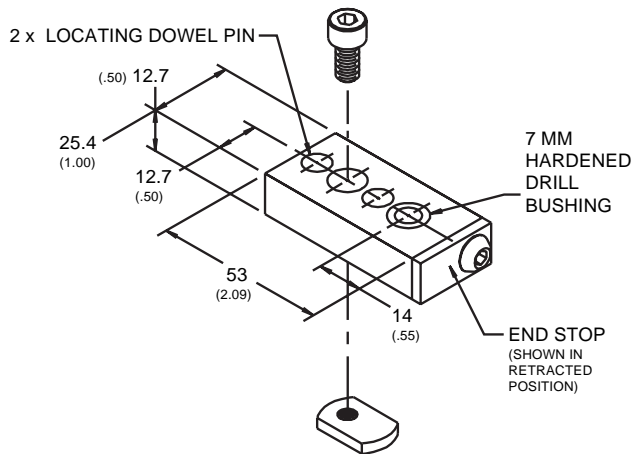
Drill Jigs

Drill Jigs provide a simple and effective method of accurately positioning 7mm diameter access holes on an extrusion profile. Each jig is supplied with locating dowel pins and fasteners to secure it in place for accurate and repeatable hole locations. Also, an end stop is provided for quick positioning at the end of a profile when drilling access holes for the End Fastening Assembly.

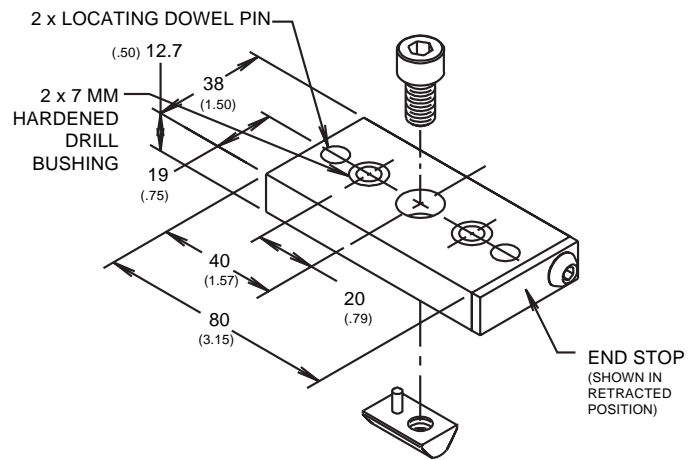
Part No.	Profiles
ESE0100	28 x 28
ESE0102	40 x 40 and 80 x 80
ESE0104	40 x 80 and 80 x 80



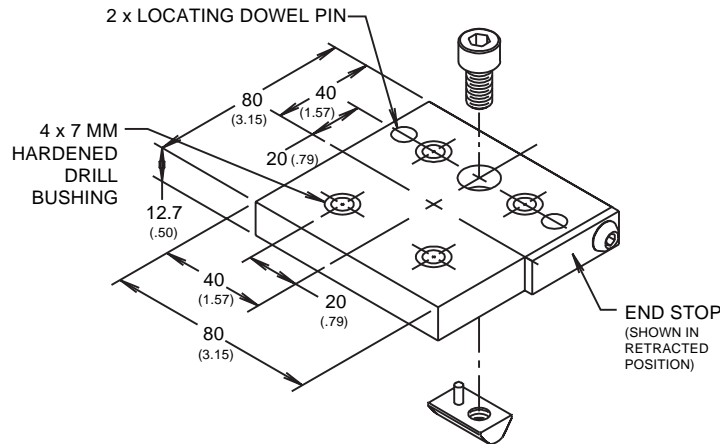
Part No. ESE0100



Part No. ESE0102



Part No. ESE0104



Note: All dimensions in mm (in)

Hex Wrenches

Ball-end hex wrenches allow for tightening bolts at angles up to 25°.

Part No.	Description
ESE0200	5 mm ball-end hex wrench
ESE0202	5 mm T-handle, ball-end hex wrench
ESE0400	6mm ball-end hex wrench
ESE0402	6mm T-handle, ball-end hex wrench

