



C Enclosure

**Panels, Mesh and Mounting Accessories**

Wire Mesh ..... 2  
 Mesh Retainers ..... 4  
 Panels ..... 6  
 Push-In Panel Seal ..... 7  
 Panel Gasket ..... 8  
 Panel Mounting Blocks ..... 9-10  
 Panel Mounting Bracket ..... 11

**Door Accessories**

L-Handle Door Latch ..... 12  
 Push Button Door Latch ..... 12  
 Magnetic Door Catch ..... 14  
 Handles ..... 15  
 Lift-Off Hinges ..... 16-18  
 Adjustable Gap Hinges ..... 19  
 Panel Track ..... 22  
 Roller Wheels ..... 23

**Finishing Accessories**

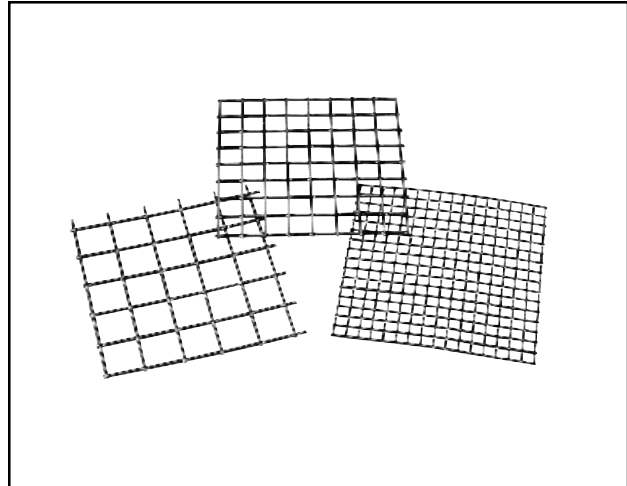
T-Slot Covers ..... 26  
 End Caps ..... 27

**Maximum Size:** 120 x 240 cm (48 x 96 in)

**Machining Service:** Custom mesh panels can be cut as required. Specify dimensions. See page G7 for details.

Part No.	Color*	Square Size	Wire Gauge	Weight, kg/m <sup>2</sup> (lb/ft <sup>2</sup> )
ESP0054	Black	1/2" x 1/2"	16	3.1 (.62)
ESP0056	Black	1" x 1"	12.5	4.2 (.85)
ESP0058	Black	1½" x 1½"	12.5	2.6 (.53)

\*Consult factory for availability of other colors.



Use this table to quickly calculate the area required for mesh or panel material:

1. Round both length and width dimensions of the panel up to the next 6" increment.
2. Find the width along the top of the chart.
3. Find the length along the side of the chart.
4. The area is shown in square feet where length intersects with the width.

Linear Dimension		WIDTH							
		6"	12"	18"	24"	30"	36"	42"	48"
LENGTH	6"	0.25	0.50	0.75	1.00	1.25	1.50	1.75	2.00
	12"	0.50	1.00	1.50	2.00	2.50	3.00	3.50	4.00
	18"	0.75	1.50	2.25	3.00	3.75	4.50	5.25	6.00
	24"	1.00	2.00	3.00	4.00	5.00	6.00	7.00	8.00
	30"	1.25	2.50	3.75	5.00	6.25	7.50	8.75	10.00
	36"	1.50	3.00	4.50	6.00	7.50	9.00	10.50	12.00
	42"	1.75	3.50	5.25	7.00	8.75	10.50	12.25	14.00
	48"	2.00	4.00	6.00	8.00	10.00	12.00	14.00	16.00
	54"	2.25	4.50	6.75	9.00	11.25	13.50	15.75	18.00
	60"	2.50	5.00	7.50	10.00	12.50	15.00	17.50	20.00
	66"	2.75	5.50	8.25	11.00	13.75	16.50	19.25	22.00
	72"	3.00	6.00	9.00	12.00	15.00	18.00	21.00	24.00
	78"	3.25	6.50	9.75	13.00	16.25	19.50	22.75	26.00
	84"	3.50	7.00	10.50	14.00	17.50	21.00	24.50	28.00
	90"	3.75	7.50	11.25	15.00	18.75	22.50	26.25	30.00
96"	4.00	8.00	12.00	16.00	20.00	24.00	28.00	32.00	



These retainers securely fasten wire mesh within the T-slot. Fasteners included.

**Part No.:** ESP0052

**Material:** Steel

**Design Tip:** For a 60 x 60 cm (2 x 2 ft) or smaller panel, use one clamp per side.

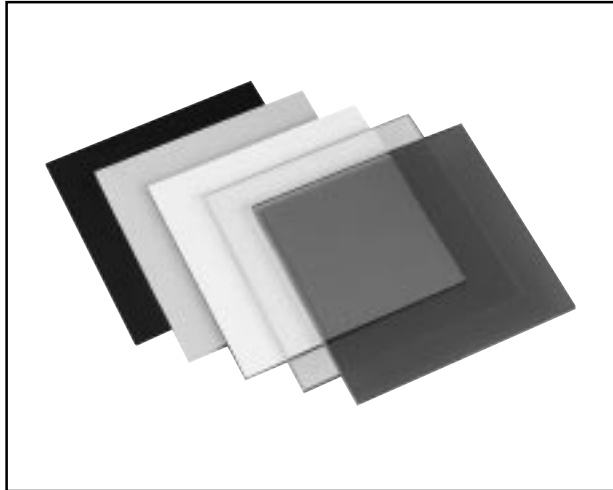


Panels are available in polycarbonate, expanded PVC or Trespa®.

Trespa is a very strong, scratch resistant panel material made from thermosetting resins reinforced with wood fibers. Trespa® panels have a decorative appearance which makes them ideal for displays, work surfaces, etc.

**Machining Service:** Custom panels can be cut as required. Specify dimensions. See page G7.

**Design Tip:** Panel dimensions will deviate slightly depending on what fastening method is utilized.



Part No.	Color*	Material Description*	Maximum Size, cm (in)	Weight, kg/m <sup>2</sup> (lb/ft <sup>2</sup> )
ESP0002	Light Smoke	Polycarbonate – 6 mm (.25 in)	120 x 240 (48 x 96)	7.6 (1.6)
ESP0004	Clear	Polycarbonate – 6 mm (.25 in)	120 x 240 (48 x 96)	7.6 (1.6)
ESP0006	Black	Expanded PVC – 6 mm (.25 in)	120 x 240 (48 x 96)	4.4 (0.9)
ESP0008	Light Gray	Expanded PVC – 6 mm (.25 in)	120 x 240 (48 x 96)	4.4 (0.9)

\* Consult factory for other colors and materials.

Tightening the fit of a 6mm (.25 in) panel inside an 8 mm slot, the panel seal is pressed into the T-slot by hand, after a panel has been framed.

**Part No.:** ESA0001

**Length:** 150 cm (60 in)

**Material:** Flexible PVC

**Color:** Black

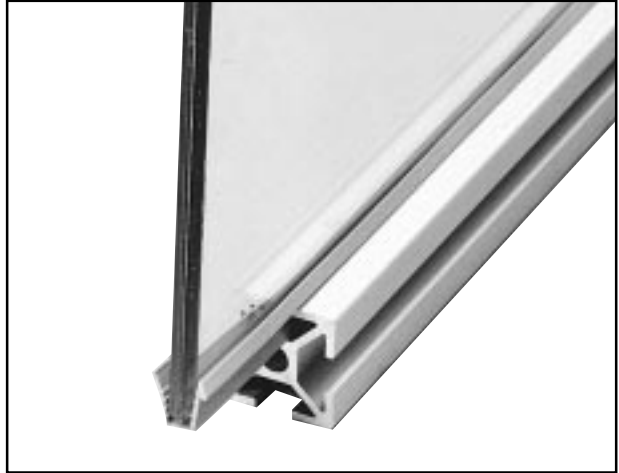
**Design Tip:** Push-in this seal after a panel is captive.



These gaskets tighten the fit of a 6mm (.25 in) panel inserted into an 8mm T-slot. Gaskets prevent rattling.

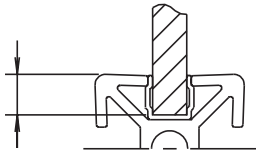
**Length:** 150 cm (60 in)

**Assembly Tip:** The ESA0003 soft gasket must be placed on panels prior to assembly. The ESA0002 & ESA0004 hard gasket is placed into the profile T-slot before inserting the panel.



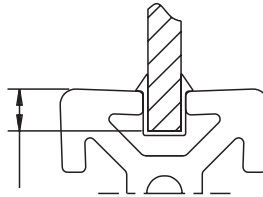
Part No.	Description	Profiles
ESA0002	Hard, high density, polyethylene, black	28 & 56
ESA0003	Soft, vinyl, gray	40 & 80
ESA0004	Hard, high density, polyethylene, black	40 & 80

**ESA0002**



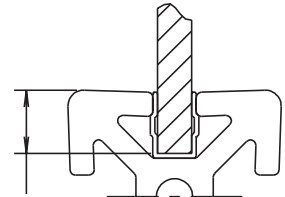
Add 6 mm (.24)  
per side

**ESA0003**



Add 8 mm (.32)  
per side

**ESA0004**



Add 10 mm (.39)  
per side

**Note:** All dimensions in mm (in)

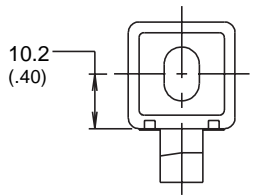
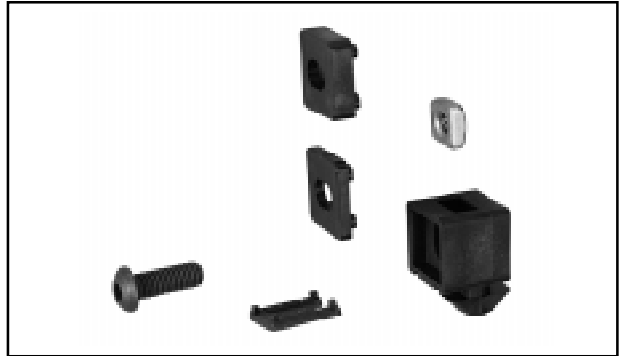
# 1/4-Turn Mounting Block

This block cam locks into place without utilizing tools. These provide easy mounting of paneling of various thickness. Panels may be mounted flush or overlap the profile as pictured below. All fasteners included.

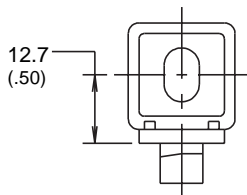
**Part No.:** ESP4004

**Material:** Glass Filled Nylon

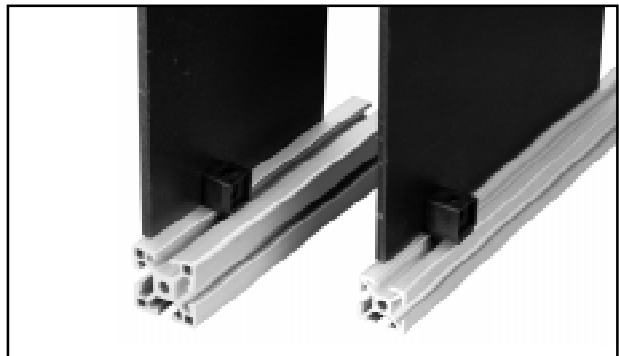
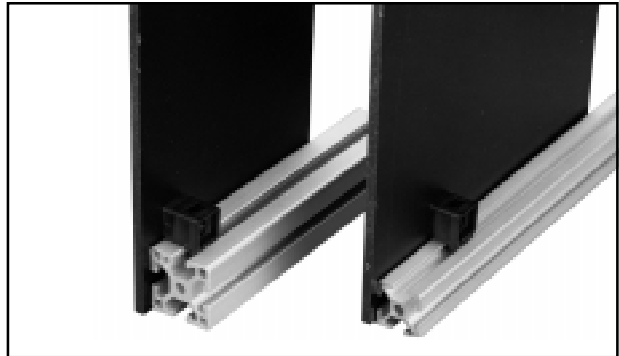
**Assembly Tip:** The mounting nut has freedom to move perpendicular to the profile's axis. This allows room for error in drilling a mounting hole through the paneling. Panel hole size is 0.28".



40 & 80 profiles



28 & 56 profiles



C Enclosure

Note: All dimensions in mm (in)

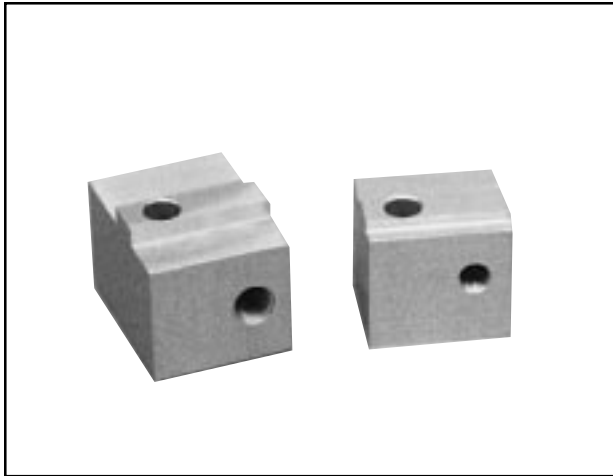


## Panel Mounting Blocks

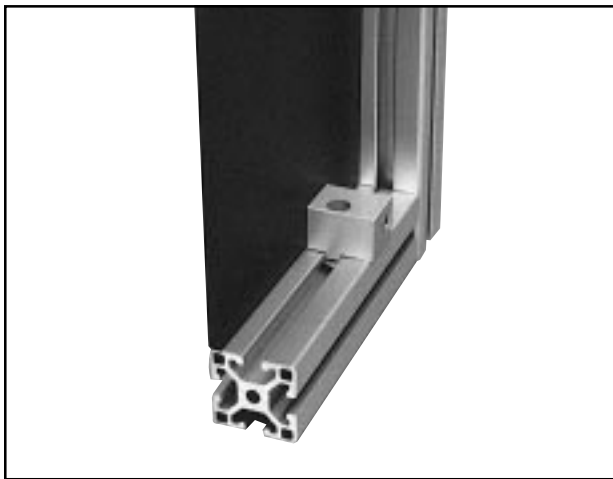
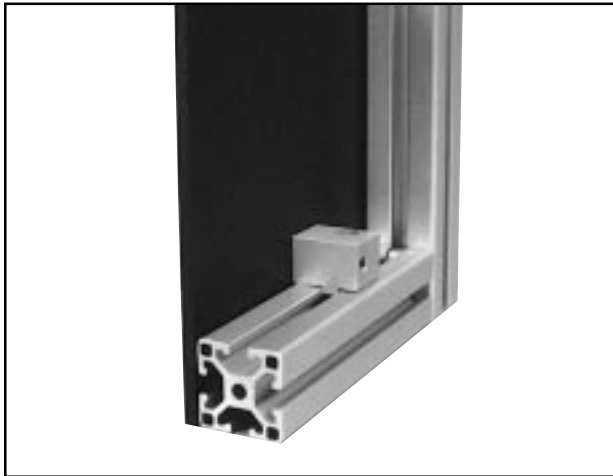
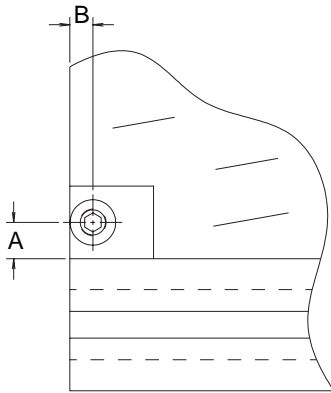
These blocks are used as a very strong mounting surface to attach a panel to a profile. One side of the block allows a 6 mm (.25 in) panel to mount flush with the edge of the profile. The opposite side of the block provides a mounting surface in line with the outside profile edge. All fasteners included.

**Material:** 6061-T6 Aluminum Alloy, Clear Anodized

**Machining Required:** To facilitate attachment of a plastic panel to the Panel Mounting Block, a thru hole should be drilled in the panel. Panel hole size is 0.28".



Part No.	Profile	Weight	
		kg	lb
ESP2802	28	0.4	0.08
ESP4002	40 & 80	0.5	0.11



Part No.	A	B
ESP2802	11 (.43)	7 (.28)
ESP4002	11 (.43)	7 (.28)

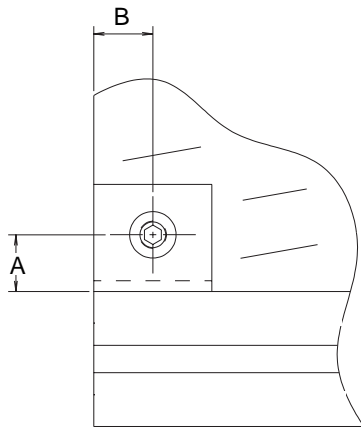
Note: All dimensions in mm (in)

Panel mounting brackets provide an economical method of mounting a plastic panel to a profile. The bracket is slotted to allow for dual mounting locations. All fasteners included.

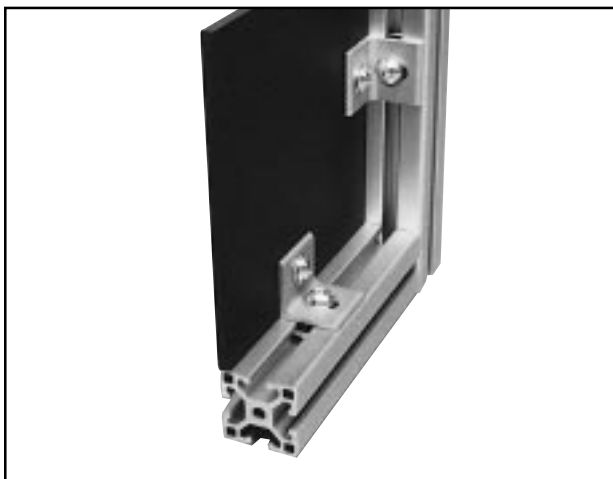
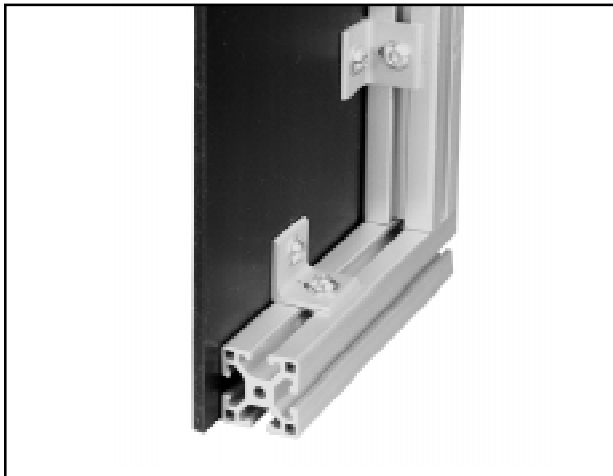
**Material:** 6061-T6 Aluminum Alloy, Clear Anodized

**Machining Required:** To facilitate attachment of a plastic panel to the Panel Mounting Bracket, a thru hole should be drilled in the panel. See dimensions below. Panel hole size is 0.38".

Part No.	Profile	Adjustment		Weight	
		mm	in	kg	lb
ESP2800	28	3.3	.13	.01	.02
ESP4000	40 & 80	6.4	.25	.02	.04



Part No.	A	B
ESP2800	14 (.55)	12.5 (.49)
ESP4000	20 (.79)	17.5 (.69)



C Enclosure

Note: All dimensions in mm (in)

**L-Handle**

This latch secures all 28 and 40 mm framed doors. All fasteners included.

**Material:** Die Cast Zinc

**Color:** Black Powder Coating

**Machining Service:** Profiles can be pre-drilled if necessary. Refer to page G9.

**Design Tip:** Use for framed doors larger than 60 x 60 cm (2 x 2 ft). Framing these doors helps reduce flexing.

Part No.	Description	Door Profile
ESA0144	Locking	28
ESA0146	Non-Locking	28
ESA0140	Locking	40
ESA0142	Non-Locking	40



**Push Button**

This latch secures unframed doors. All fasteners included.

**Material:** Thermoplastic Polyester

**Color:** Black

**Machining Service:** Panels can be pre-drilled if necessary. Refer to page G9.

**Design Tip:** Use for unframed doors smaller than 60 x 60cm (2 x 2 ft).

Part No.	Type
ESA0136	Locking
ESA0138	Non-Locking



The magnetic door catch attaches to the T-slots of all profiles. A striker plate attaches to the moving door. All fasteners are included.

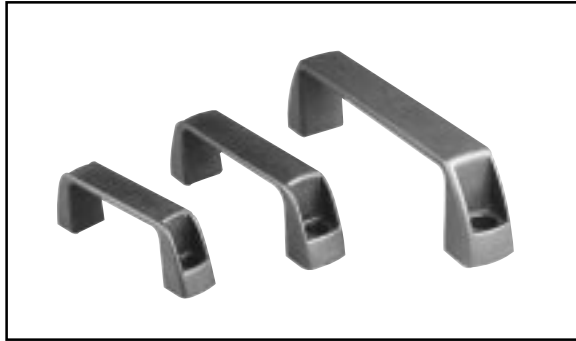
**Part No.:** ESA0106

**Material:** Zinc Plated Carbon Steel



Two types of handles are available: First, a heavy-duty plastic handle (in three sizes) for mounting to profile T-slots. Second, a lighter duty nickel coated brass handle mounts directly to plastic panels. All fasteners included.

**Machining Required:** Panel mounting of Part No. ESA0114 requires two 5 mm (.19 in) diameter thru holes at 101.5 mm (4.00 in) centers.



Part No.	Hole Center Distance		Material	Color	Application	Weight	
	mm	in				kg	lb
ESA0102	95	3.74	Plastic	Black	28 & 56 Profiles	0.03	0.06
ESA0103	117	4.61	Plastic	Black	All Profiles	0.05	0.10
ESA0104	179	7.05	Plastic	Black	40 & 80 Profiles	0.07	0.15
ESA0114	101.5	4.00	Nickel Coated Brass	Silver	Plastic Panel	0.07	0.15